

# GPM SERIES

# PANEL MOUNT/FUSE HOLDERS



## GPM PANEL MOUNT FUSE HOLDERS

Ferraz Shawmut GPM Panel Mount Fuse Holders are in sizes to accommodate Class CC and Midget (1-1/2" x 13/32") fuses. All 30A holders have glass-filled thermoplastic insulators for extra dependability and trouble-free installation. Patented design allows same body to accept screw or bayonet knob. Flange design allows front or rear mounting.

### Approvals

- UL Recognized, Guide IZLT2, File E52283  
CSA Certified, Class 6225, File 32169



## RECOMMENDED FUSE USAGE

GPM Fuse Holders will accommodate these Ferraz Shawmut fuses:

- GPM-SRR, GPM-BRR, GPM-WTR:** ATQR, ATDR, ATMR
- GPM-SRR90, GPM-BRR90, GPM-WTR90:** ATQR, ATDR, ATMR
- GPM-S, GPM-B, GPM-WT:** ATQ, ATM, TRM, OTM, GGU,
- GPM-S90, GPM-B90, GPM-WT90:** A13X-2, A25Z-2, A60Q-2, A6Y-2B

## Catalog Numbers & Descriptions

CATALOG NO.	FIG.	CAP TYPE	AMPS	VOLTS	FUSE TYPE	TERMINAL TYPE
GPM-S	1	Screw Knob	30	600	1-1/2" x 13/32"	1/4" Quick-connect/Solder
GPM-S90	2	Screw Knob	30	600	1-1/2" x 13/32"	1/4" Quick-connect/Solder, Right Angle
GPM-SRR	1	Screw Knob	30	600	Class CC	1/4" Quick-connect/Solder
GPM-SRR90	2	Screw Knob	30	600	Class CC	1/4" Quick-connect/Solder, Right Angle
GPM-B	1	1/4 Turn Bayonet Knob	30	600	1-1/2" x 13/32"	1/4" Quick-connect/Solder
GPM-B90	2	1/4 Turn Bayonet Knob	30	600	1-1/2" x 13/32"	1/4" Quick-connect/Solder, Right Angle
GPM-BRR	1	1/4 Turn Bayonet Knob	30	600	Class CC	1/4" Quick-connect/Solder
GPM-BRR90	2	1/4 Turn Bayonet Knob	30	600	Class CC	1/4" Quick-connect/Solder, Right Angle
GPM-WT	1	Water-tight Screw Knob	30	600	1-1/2" x 13/32"	1/4" Quick-connect/Solder
GPM-WT90	2	Water-tight Screw Knob	30	600	1-1/2" x 13/32"	1/4" Quick-connect/Solder, Right Angle
GPM-WTR	1	Water-tight Screw Knob	30	600	Class CC	1/4" Quick-connect/Solder
GPM-WTR90	2	Water-tight Screw Knob	30	600	Class CC	1/4" Quick-connect/Solder, Right Angle

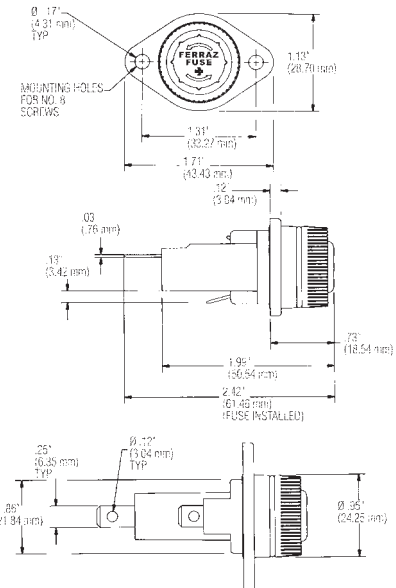


Figure 1

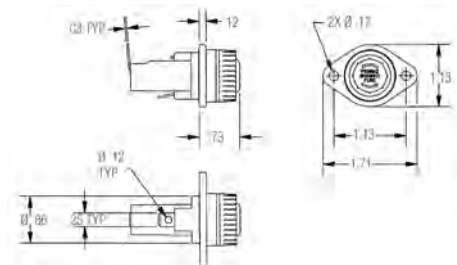


Figure 2