

# 62000-69000 SERIES POWER DISTRIBUTION BLOCKS



## VERSATILE POWER DISTRIBUTION BLOCKS FOR CABLE TERMINATIONS

Ferraz Shawmut Power Distribution Blocks afford a safe, convenient way of splicing cables, splitting primary power into a variety of secondary circuits or providing a fixed junction tap-off point. Power block options include single or dual primary connections with up to 30 secondary connections.

### Features/Benefits

- **Adder Poles**  
All series have optional adder poles which snap onto the 1, 2 or 3- pole blocks and lock together to form as many poles as required. Adder poles with a variety of terminations can be combined to match special wire size combinations.
- **Wire Connectors**  
Standard aluminum box connectors accommodate aluminum or copper wire, 1 conductor per opening. Standard copper box connections are for copper wire only, 1 conductor per opening. Connectors are all 1 piece and tin plated.
- **Insulators**  
Insulators are virtually unbreakable, glass-filled polycarbonate on all series. "See-Through" Safety Covers are available which give greater safety and provide Service Entrance ratings for large and intermediate series blocks.

### Ratings

- Ampere ratings from 90 to 2660
- 600V rated
- Short Circuit current rating 100kA with proper fuse. Contact technical services for sizing table.

### Approvals

- Most sizes are UL Recognized Component - Guide XCFR2, File E73571
- Most sizes are CSA Certified:  
Series 62, 63, 66, 68 - Class 6228, File 69363  
Series 67, 69 - Class 3211, File 15469

### HIGHLIGHTS:

- **Mini -**  
62000 and 63000 Series
- **Intermediate -**  
66000 and 67000 Series
- **Large -**  
68000 and 69000 Series

### APPLICATIONS:

- Box, stud and quick-connect terminations for copper and/or aluminum cables

# MINI

## 62000-63000 SERIES/POWER DISTRIBUTION BLOCKS

### Sizes, Ratings, Catalog Numbers – Mini Series 62000 and 63000

Ampere rating based on NEC Table 310-16 for 75° copper wire.



PRIMARY		SECONDARY		AMP RATING		CATALOG NUMBER								SHORT CIRCUIT CURRENT RATING
WIRE RANGE AWG/kcmil or STUD SIZE*	OPENINGS or STUDS PER POLE	WIRE RANGE AWG/kcmil or STUD SIZE*	OPENINGS or STUDS PER POLE			ALUMINUM (Connector rated for 90° C Cu/Al wire)				COPPER (Connector rated for 90° C Cu wire only)				
						ADDER	1 POLE	2 POLE	3 POLE	ADDER	1 POLE	2 POLE	3 POLE	
<b>Box to Box</b>														
#4-14	1	#4-14	1 4	90	85	63100 63160	63101 63161	63102 63162	63103 63163	62100 62160	62101 62161	62102 62162	62103 62163	• •
2/0-#14	1	2/0-#14 #2-14 #4-14	1 2 4	185	175	63150 63190 63130	63151 63191 63131	63152 63192 63132	63153 63193 63133	62150 62190 62130	62151 62191 62131	62152 62192 62132	62153 62193 62133	• • •
<b>Box to Stud</b>														
2/0-#14	1 1	1/4-20 x 5/8 1/4-20 x 1/2 Tapped hole	1 1	185	175	63140	63141	63142	63143	62140 62170	62141 62171	62142 62172	62143 62173	• •
<b>Stud to Stud</b>														
1/4-20 x 5/8	1	1/4-20 x 5/8	1	240	240	-	-	-	-	62200	62201	62202	62203	•
<b>Box to Quick Connect</b>														
#4-14	1	1/4 x .032QC	4	90	95	-	-	-	-	62210†	62211†	62212†	62213†	-

\*Studs are furnished with nuts and washers. Recommended stud torque: (1/4-20) - 72 in. lbs.

†Quick connector, not CSA Certified.

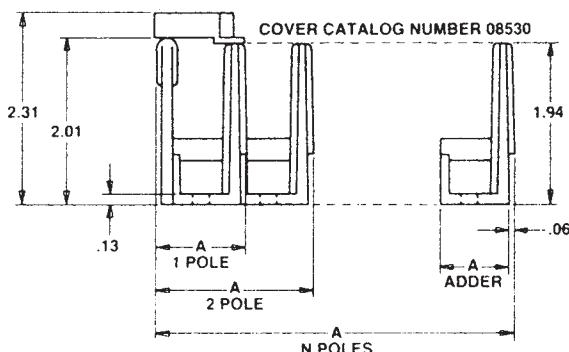
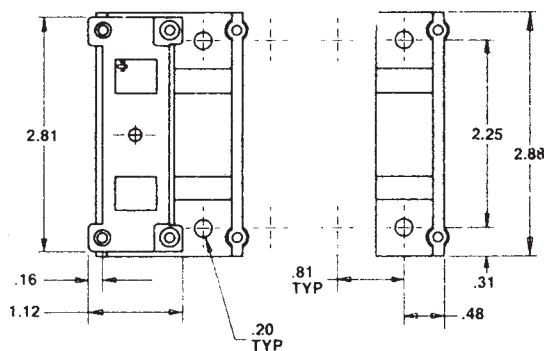
**Note:** Blocks for 5, 6 and 10 poles are also available. To order, simply modify the Adder catalog number. Example: 63100 becomes 63106 for 6 poles.

•Short circuit current rating with correctly sized fuse 100kA except adder block. Contact Ferraz technical services for fuse type and maximum ampere required.

### Dimensions – 62000 and 63000 Series Power Distribution Blocks

NUMBER OF POLES	DIMENSION A (Inches)
ADDER	.812
1	1.09
2	1.90
3	2.71
N	(.812 x N) + .273

Example for 10 poles:  
A = (.812 x 10) + .273 = 8.39



### SAFETY COVER - Catalog number 08530

Polycarbonate safety cover provides dead-front protection to 62000 and 63000 series power distribution blocks. One cover is needed or each pole (1-pole block requires 1 cover, 3-pole requires 3 covers, etc.) Each cover has a test prod hole in the center for circuit checking and each is marked with the reminder "REPLACE AFTER SERVICING EQUIPMENT".

To order, simply determine the total number of poles to be protected and specify the same number of 08530 safety covers. Mounting screws are supplied with cover.

Recommended mounting screws for all 62000-63000 series: #10 (.190" diameter).

### END BARRIER - Catalog number U09311

Polycarbonate end barriers snap on to PDB Adder blocks to form 1-pole blocks. Use one barrier per block.