

SIEMENS

Molded Case Circuit Breakers

BQD/CQD Type Circuit Breakers Product Bulletin



- UL Listed
- Compact Size
- Single Handle
- Glass Polyester Housing
- Common Trip
- Quick-make
Quick-break
Trip free Mechanism
- 1, 2 or 3 Pole Units
- UL Listed Field
Addable Accessories

General Information

The BQD and CQD type circuit breakers are 1 inch pole width similar to the BQ, BL and ED type circuit breakers. They are available in 1, 2 or 3 pole configurations, with voltage ratings of 120, 240, 277 and 480/277V AC and interruption ratings up to 65,000 amperes.

Specifications:

1, 2, 3 Poles
 15-100 Amperes, 120, 240, 277, 480Y/277V AC
 50/60 Hz

125, 125/250V DC

Meets or exceeds Federal Specifications
 W-C-375b

1 Pole 120V AC 11a
 1 Pole 277V AC 12c, 13a

2, 3 Poles 240V AC 10b, 11b, 12b, 14b, 15b
 2, 3 Poles 480/277 13b

UL Listed File #E10848
 Conforms to NEMA AB1
 CSA C22.2 #5

Due to their compact size, the BQD/CQD Type circuit breakers are well suited for OEM designed equipment in both light commercial and industrial applications.

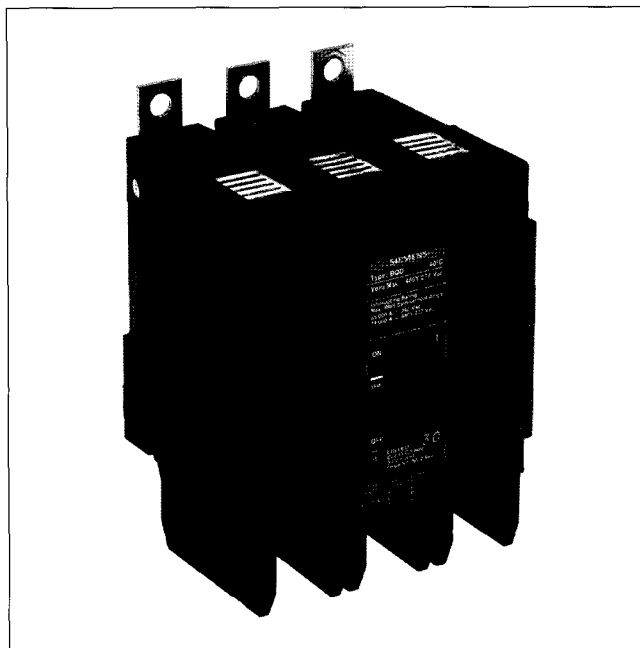
Application:

- 1, 2, 3 Poles 15-100 Amperes are HACR marked.
- 1 Pole 15-20 Amperes SWD marked for fluorescent lighting applications.
- 1 Pole 15-30 Amperes tested and marked HID
- Suitable for reverse feed applications.
- CQD—Independently mounted on customer supplied DIN rail or bolted directly to surface.
- Not suitable for 3 phase delta 480V AC grounded "B" phase applications

Terminal Connectors UL listed for 60/75C CU AL

BQD Load end only CQD Line and Load ends	
15-40 Amperes	#14 - #6 AWG CU #12 - #6 AWG AL
45-100 Amperes	#8 - #1 AWG CU #6 - #1/0 AWG AL

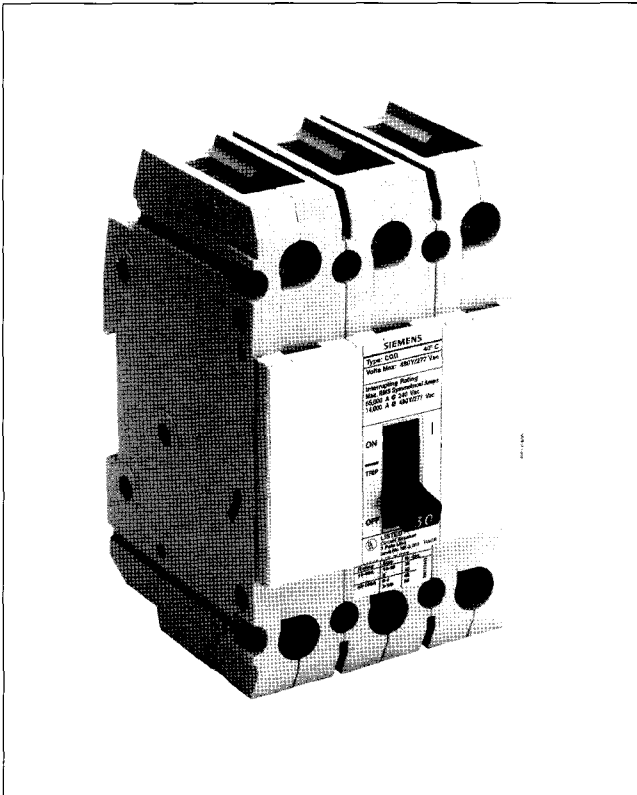
Ordering Information



BQD Catalog Numbers

Maximum Continuous Current Rating @ 40C	1 Pole 120V AC 125V DC Catalog Number	2 Pole 480Y/277V AC 125/250V DC Catalog Number	3 Pole 480Y/277V AC Catalog Number
15	BQD115	BQD215	BQD315
20	BQD120	BQD220	BQD320
25	BQD125	BQD225	BQD325
30	BQD130	BQD230	BQD330
35	BQD135	BQD235	BQD335
40	BQD140	BQD240	BQD340
45	BQD145	BQD245	BQD345
50	BQD150	BQD250	BQD350
60	BQD160	BQD260	BQD360
70	BQD170	BQD270	BQD370
80	BQD180	BQD280	BQD380
90	BQD190	BQD290	BQD390
100	BQD1100	BQD2100	BQD3100

Ordering Information



CQD Catalog Numbers

Maximum Continuous Current Rating @ 40C	1 Pole 120V AC 125V DC Catalog Number	2 Pole 480Y/277V AC 125/250V DC Catalog Number	3 Pole 480Y/277V AC Catalog Number
15	CQD115	CQD215	CQD315
20	CQD120	CQD220	CQD320
25	CQD125	CQD225	CQD325
30	CQD130	CQD230	CQD330
35	CQD135	CQD235	CQD335
40	CQD140	CQD240	CQD340
45	CQD145	CQD245	CQD345
50	CQD150	CQD250	CQD350
60	CQD160	CQD260	CQD360
70	CQD170	CQD270	CQD370
80	CQD180	CQD280	CQD380
90	CQD190	CQD290	CQD390
100	CQD1100	CQD2100	CQD3100

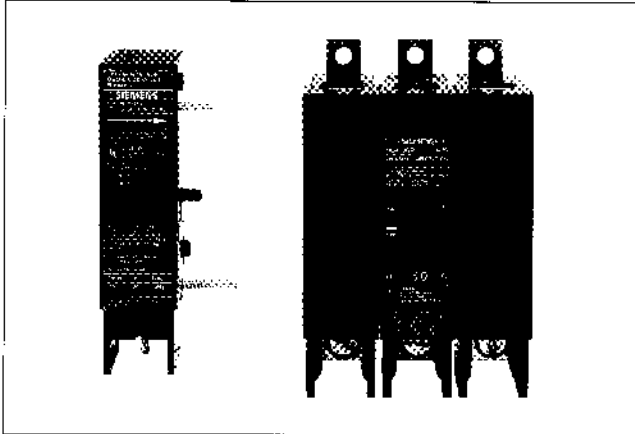
UL Interrupting Ratings

Breaker Type BQD/CQD

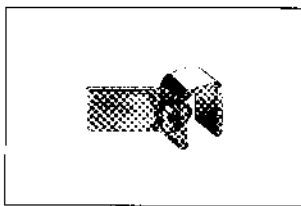
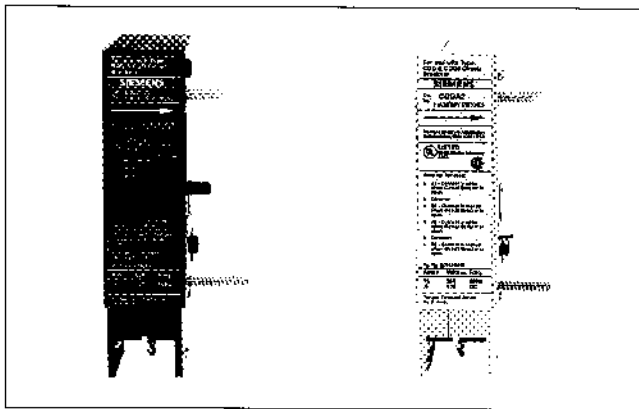
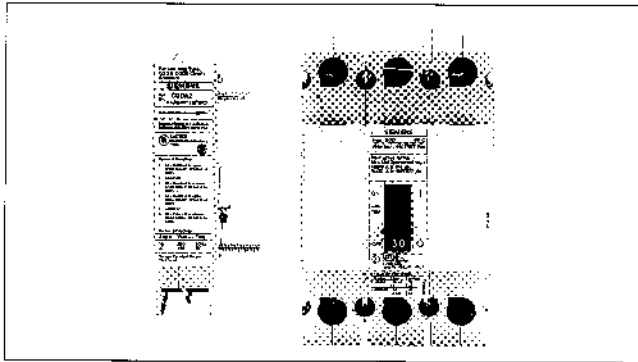
Number of Poles	RMS Symmetrical (kA) UL Air				Interrupting Amperes (kA) DC Voltage	
	AC Voltage				125	125/250
	120	240	277	480Y/277		
1	65	—	14	—	14	—
2	—	65	—	14	—	14
3	—	65	—	14	—	—

Accessories

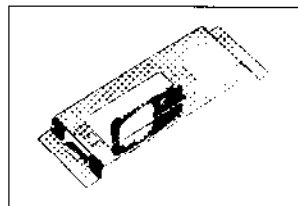
BQD



CQD



Handle Padlocking Device
BQDHBD



Handle Blocking Device
BQDPLD

BQD Shunt Trip

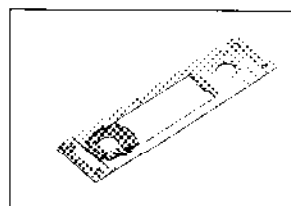
Control Voltage		Customer Supply	
V AC	V DC	Shunt Trip Catalog Number	Current Draw
120		BQDST120	.09A
240		BQDST240	.50A
277		BQDST277	.55A
480		BQDST480	.45A
600		BQDST600	.50A
	12	BQDST12	1.20A
	24	BQDST24	.80A
	48	BQDST48	.80A
	125	BQDST125	.35A

CQD Shunt Trip

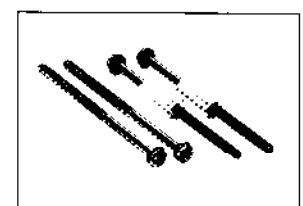
Control Voltage		Shunt Trip Catalog Number	Current Draw
V AC	V DC		
120		CQDST120	.09A
240		CQDST240	.50A
277		CQDST277	.55A
480		CQDST480	.45A
600		CQDST600	.50A
	12	CQDST12	1.20A
	24	CQDST24	.80A
	48	CQDST48	.80A
	125	CQDST125	.35A

BQD/CQD Auxiliary Switch/Bell Alarm Devices

	Aux. Switch	Max. Current Rating	Alarm Switch	Max. Current Rating
BQD	1a-1b Contact BQDA1 2a-2b Contacts BQDA2	15A @ 250V AC	1a-1b Contact BQDBA	15A @ 250V AC
CQD	1a-1b Contact CQDA1 2a-2b Contacts CQDA2	.25A @ 125V DC	1a-1b Contact CQDBA	.25A @ 125V DC

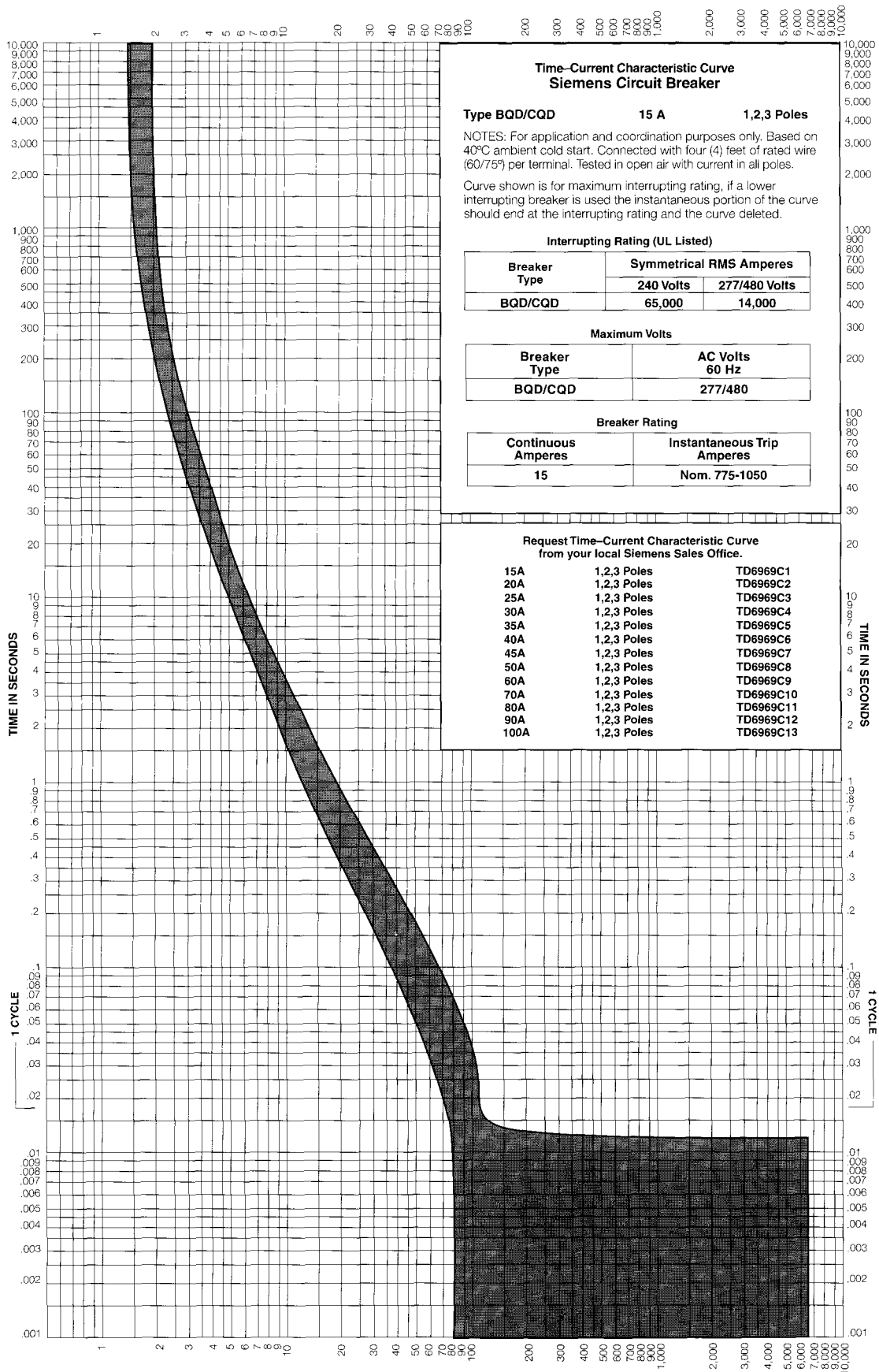


Face Plate Mounting
1 Pole CQDFMB1
2 Pole CQDFMB2
3 Pole CQDFMB3

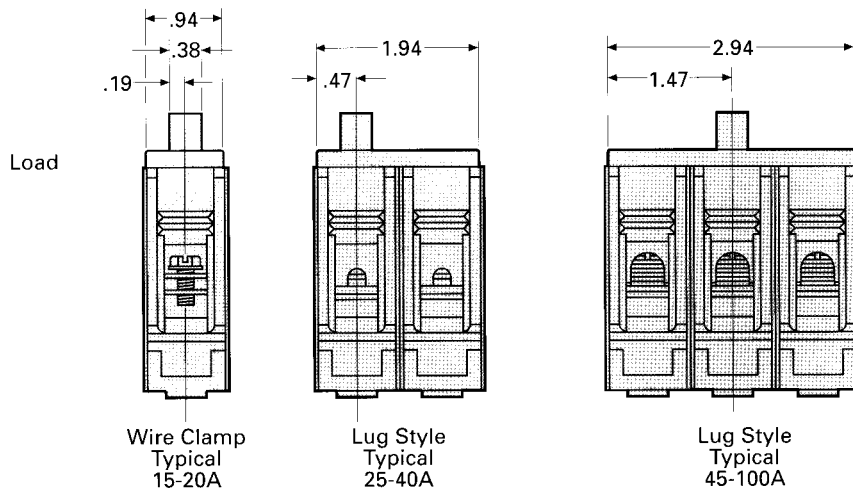
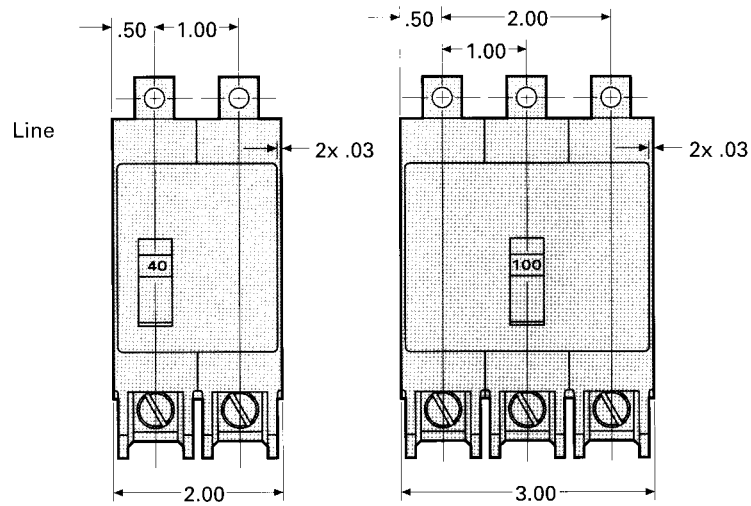
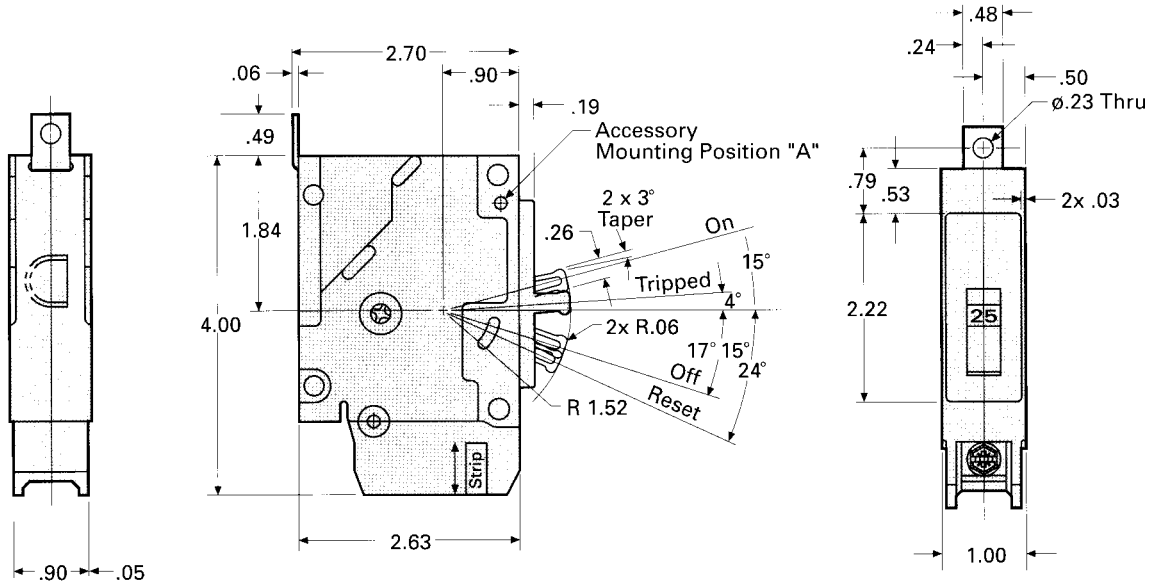


Mounting Hardware Kit
CQDSMK

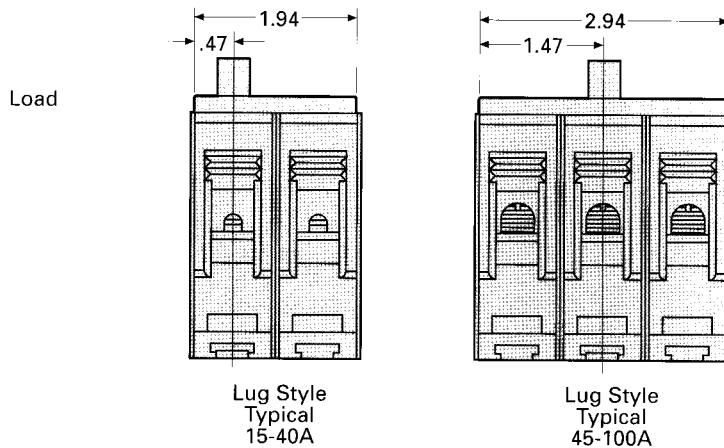
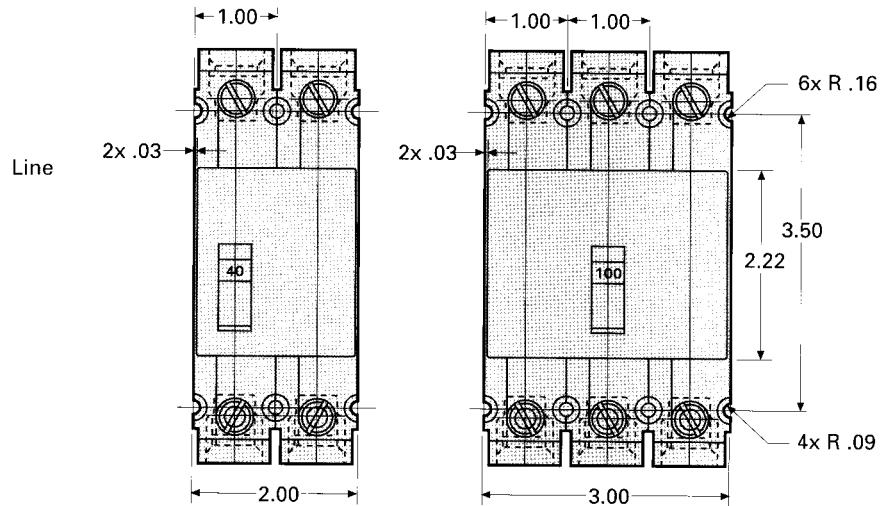
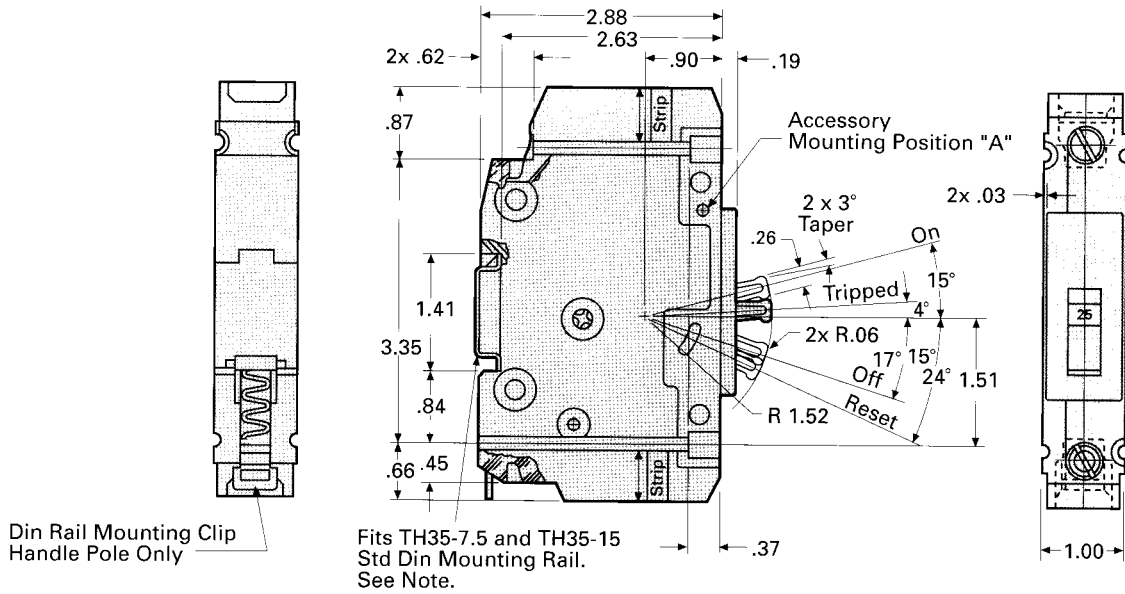
BQD/CQD Time Current Curve – Example



BQD Outline Drawings



CQD Outline Drawings



Note: Refer to IEC Publication 715 for DIN Rail dimensional standards.

Siemens Energy & Automation, Inc.
Power Distribution & Controls Division
3333 Old Milton Parkway
Alpharetta, GA 30005

For Nearest Sales Office
1-800-964-4114 or 800-241-4453
[www.sea.siemens.com/
sales/salesoffices.html](http://www.sea.siemens.com/sales/salesoffices.html)

For Product Information
www.sea.siemens.com/power/
