



Technical Data 1043

Effective May 2016
Supersedes October 2002

BUSSMANN
SERIES

Limitron® fast-acting, RK1 – 250 volt fuses

Catalog symbol - KTN-R-(amps)

Description:

Advanced protection Class RK1 current-limiting, fast-acting fuses.

Specifications:

Ratings

- Volts:
 - 250 Vac
 - 250 Vdc (70-350 A)
- Amps - 1-600 A
- Interrupting rating:
 - 200 kA Vac RMS Sym.
 - 100 kA Vdc

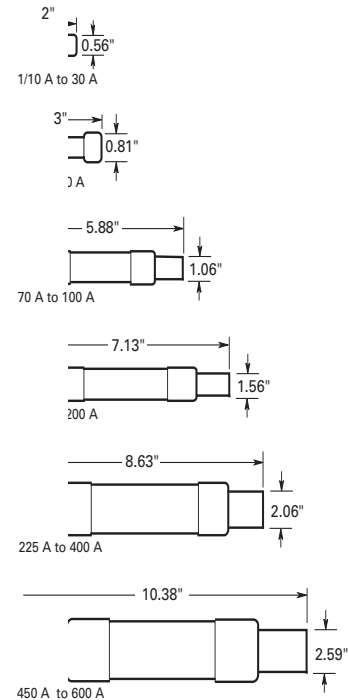
Agency Information

- UL® Listed, Std. 248-12, Guide JDDZ, File E54273
- CSA® Certified, Class 1422-02, File 53787
- CE

Features:

- Provides 10X better current limitation to help prevent equipment damage caused by short-circuit events
- 200 kA interrupting rating complies with NEC® Section 110.9 for today's large capacity systems
- Fast-acting fuse helps prevent equipment damage caused by short-circuit events
- Incorporates Class R rejection feature. Can be inserted in non-rejection type fuse holders to physically and electrically replace Class H, K1, K5, and other fast-acting fuses
- Ideal for critical industrial or commercial applications that have specific current limitation requirements

Dimensions - in:



Catalog numbers		
KTN-R-1	KTN-R-30	KTN-R-125
KTN-R-2	KTN-R-35	KTN-R-150
KTN-R-3	KTN-R-40	KTN-R-175
KTN-R-4	KTN-R-45	KTN-R-200
KTN-R-5	KTN-R-50	KTN-R-225
KTN-R-6	KTN-R-60	KTN-R-250
KTN-R-8	KTN-R-70	KTN-R-300
KTN-R-10	KTN-R-75	KTN-R-350
KTN-R-12	KTN-R-80	KTN-R-400
KTN-R-15	KTN-R-90	KTN-R-450
KTN-R-20	KTN-R-100	KTN-R-500
KTN-R-25	KTN-R-110	KTN-R-600



Powering Business Worldwide



Technical Data 1043

Limitron® fast-acting fuses 250 volt

Effective May 2016

Carton quantity and weight (250 vac)*

Amps	Carton qty.
1-30	10
40-60	10
70-100	5
110-200	1
225-400	1
450-600	1

*Contact Eaton's Bussmann Division for DC ratings.

Recommended fuse blocks

Fuse amps	1-pole	2-pole	3-pole
0-30	HM25030-1	HM25030-2	HM25030-3
	RM25030-1	RM25030-2	RM25030-3
35-60	HM25060-1	HM25060-2	HM25060-3
	RM25060-1	RM25060-2	RM25060-3
70-100	RM25100-1CR	RM25100-2CR	RM25100-3CR
110-200	RM25200-1CR	RM25200-1CR	RM25200-1CR
225-400	RM25400-1CR	RM25400-1CR	RM25400-1CR
450-600	RM25600-1CR	RM25600-1CR	RM25600-1CR

For additional information on 250 volt blocks, see data sheet No. 10289 (RM250) and (HM250) and product brochure No. 3192 (RM style).

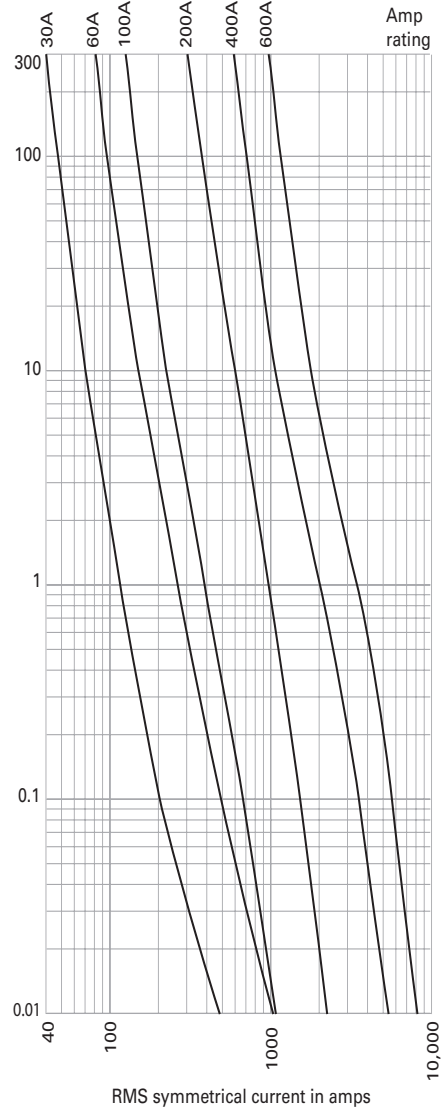
Fuse reducers for Class R fuses - 250 V

Equipment fuse clips	Desired fuse (case) size	Catalog symbol (pairs)
60 A	30 A	NO.263-R
	60 A	NO.213-R
100 A	60 A	NO.216-R
	100 A	NO.226-R
200 A	100 A	NO.2621-R
	200 A	NO.2641-R
400 A	100 A	NO.242-R
	200 A	NO.2661-R
600 A	200 A	NO.2662-R
	400 A	NO.2664-R†

† Single reducer only (pair not required).

For additional information on Class R fuse reducers, see data sheet No. 1118.

Time-current curves — average melt



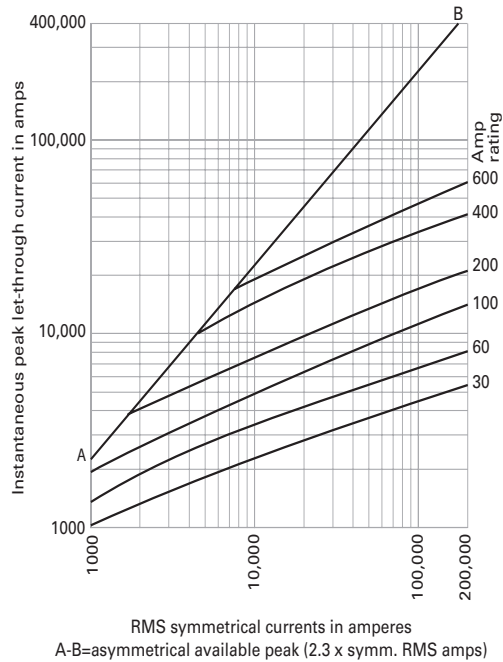


Limitron® fast-acting fuses 250 volt

Technical Data 1043

Effective May 2016

Current-limitation curves



The only controlled copy of this Data Sheet is the electronic read-only version located on the Eaton Network Drive. All other copies of this document are by definition uncontrolled. This bulletin is intended to clearly present comprehensive product data and provide technical information that will help the end user with design applications. Eaton reserves the right, without notice, to change design or construction of any products and to discontinue or limit distribution of any products. Eaton also reserves the right to change or update, without notice, any technical information contained in this bulletin. Once a product has been selected, it should be tested by the user in all possible applications.

Eaton
1000 Eaton Boulevard
Cleveland, OH 44122
United States
Eaton.com

Bussmann Division
114 Old State Road
Ellisville, MO 63021
United States
Eaton.com/bussmannseries

Eaton, Bussmann and Limitron are valuable trademarks of Eaton in the US and other countries. You are not permitted to use the Eaton trademarks without prior written consent of Eaton.

CSA is a registered trademark of the Canadian Standards Group.
NEC is a registered trademark of the National Fire Protection Association, Inc.
UL is a registered trademark of the Underwriters Laboratories, Inc.

For Eaton's Bussmann series product information, call 1-855-287-7626 or visit: Eaton.com/bussmannseries



© 2016 Eaton
All Rights Reserved
Printed in USA
Publication No. 1043 – SB02295
May 2016

Follow us on social media to get the latest product and support information.

